

# 1/16 DIN Programmable Timer

**DISCONTINUED**

PTC-12



PTC-12, shown larger than actual size.

- ✓ 9 Programmable Modes
- ✓ 6 Timing Ranges
- ✓ Security Code
- ✓ 2- or 1-Timed plus 1 Instantaneous Contact
- ✓ Programmable Reset Function
- ✓ External Hold and Reset
- ✓ LED Status and Timing Indicators

The PTC-12 programmable timer, packaged in a standard 1/16 DIN 48 x 48 mm (1.9 x 1.9") housing, is an extremely versatile product offering nine operating modes applied to two timed output relay contacts. When only one of the timers is being used, the other output acts as a set of instantaneous changeover contacts. The single model provides timing from 0.1 seconds to 100 hours.

## Specifications

### Timing Ranges:

0 to 999.9 sec, 0 to 9999 sec,  
0 to 9999 min, 0 to 99 min 59 sec,  
0 to 99 hr 59 min, 23:59 in 24 hr  
clock mode

### Timing Modes:

DE, DDE, DP, CCT, DE-2, IT-2,  
DE-IT, DD-2, 24-hour clock

**Supply Voltage:** 12 to 24 Vac/Vdc

### Supply Variation:

±10% of supply voltage

**Battery Backup:** External 3 Vdc to retain clock on 24 hr mode only at loss of supply voltage

**Power Drain:** 3 Va max

### Contact Ratings:

**OP1:** 8 A @ 240 Vac, SPDT

**OP2:** 5 A @ 240 Vac resistive, SPST

**Reset Time:** 100 msec max

### Ambient Conditions:

#### Working Temp:

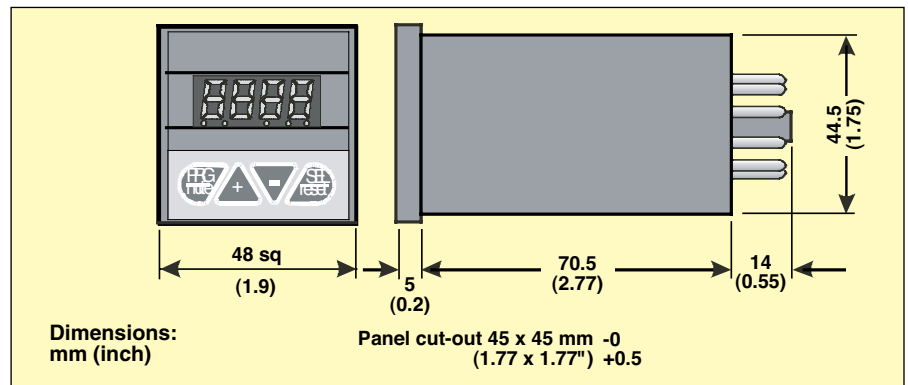
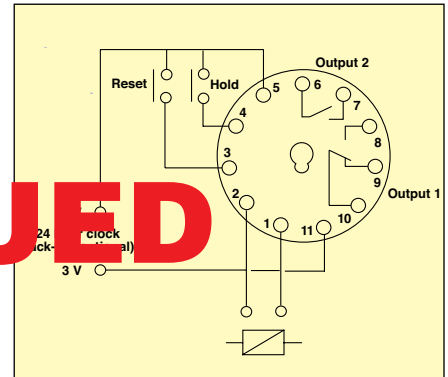
0 to 50°C (32 to 122°F)

#### Storage Temp:

0 to 70°C (32 to 158°F)

**Approvals:** Complies with CE directives EN50081-1 and EN50082-1 for EMC and EN61010-1 for low voltage

**Weight:** 150 g (5.3 oz)



OMEGACARE<sup>SM</sup> extended warranty program is available for models shown on this page. Ask your sales representative for full details when placing an order. OMEGACARE<sup>SM</sup> covers parts, labor and equivalent loaners.

**To Order Visit [omega.com/ptc-12](http://omega.com/ptc-12) for Pricing and Details**

Model No.	Description
PTC-12	Programmable timer

Comes complete with operator's manual and mounting socket.  
Ordering Example: PTC-12, programmable timer.

**DISCONTINUED**