

# 1/16 DIN Panel Mount Programmable Timer

PTC-13



Panel punches available, visit [omega.com/panelpunches](http://omega.com/panelpunches)



PTC-13 shown larger than actual size.

- ✓ 11 Programmable Modes
- ✓ 4 Timing Ranges
- ✓ Security Code
- ✓ 2- or 1-Time plus 1 Instantaneous Contact
- ✓ Selectable Up/Down Timing
- ✓ Programmable Reset Function
- ✓ External Hold and Reset
- ✓ IP65 Water and Dust Protection
- ✓ Dual LED Displays

The PTC-13 is a panel-mount programmable timer, packaged in a 1/16 DIN IP65 rated housing. It is an extremely versatile product offering 11 operating modes applied to two timed output relay contacts. When only one of the timers is being used, the other output acts as a set of instantaneous changeover contacts. A single model provides timing from 0.1 seconds to 100 hours.

## Specifications

### Timing Ranges:

0 to 999.9 seconds, 0 to 999.9 minutes, 0 to 99 minutes 59 seconds, 0 to 99 hours, 59 minutes

### Timing Modes:

DE, INT, DD, DE-2, IT-2, DD-2, DDE, DEIT, DP, CCT, SEQ, MON

### Supply Voltage:

90 to 264 Vac @ 50/60 Hz or 12 to 24 Vac/Vdc

### Supply Variation:

±10% of supply voltage

**Power Drain:** 8 Va maximum

### Contact Ratings:

**OP1:** 8 A @ 240 Vac, SPDT

**OP2:** 5 A @ 240 Vac resistive, SPST

**Reset Time:** 100 msec maximum

### Ambient Conditions:

#### Working Temp:

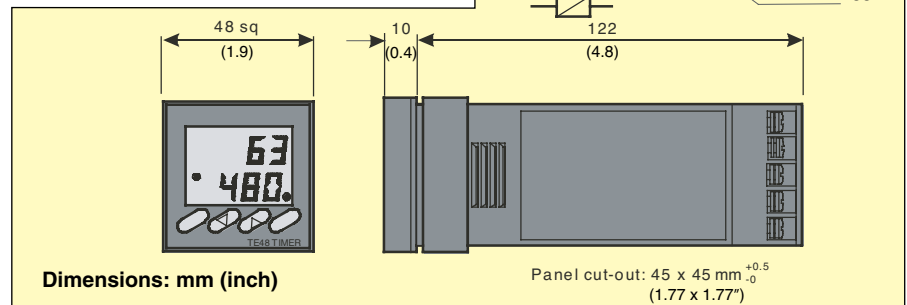
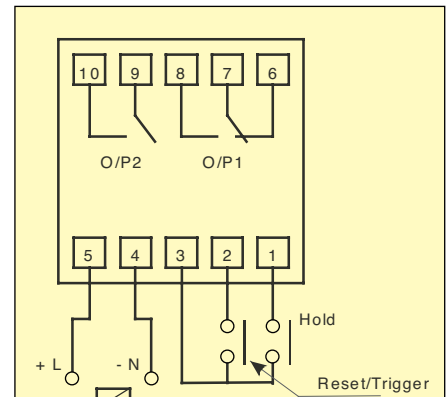
0 to 50°C (32 to 122°F)

#### Storage Temp:

0 to 70°C (32 to 158°F)

**Approvals:** Complies with CE directives EN50081-1 and EN50082-1 for EMC and EN61010-1 for low voltage

**Weight:** 250 g (9 oz)



OMEGACARE<sup>SM</sup> extended warranty program is available for models shown on this page. Ask your sales representative for full details when placing an order. OMEGACARE<sup>SM</sup> covers parts, labor and equivalent loaners.

**To Order Visit [omega.com/ptc-13](http://omega.com/ptc-13) for Pricing and Details**

Model No.	Description
PTC-13	Programmable timer, AC voltage
PTC-13-LV	Programmable timer, DC voltage

Comes complete with operator's manual.

**Ordering Example:** PTC-13, programmable timer, AC voltage.