

Remote Display/ Programmer

Compatible with all **i**Series
Meters and Controllers



RD4/RD6



- ✓ 1/2 DIN Panel Cutout or Surface Mount
- ✓ Big LEDs: 21 mm (0.83")
- ✓ Alarm Indicators and Color Change
- ✓ Menu-Selectable Serial Inputs: ASCII RS232, RS485
- ✓ NEMA 4 (IP65) 1/2 DIN Bezel
- ✓ 20 mm (0.80") Behind Panel and Only 39 mm (1.6") Overall
- ✓ RoHS 2 Compliant

Remote Display

The RD4/RD6 are 4- or 6-digit master/slave displays providing remote readout from instruments such as programmable controllers, digital panel meters, and other instruments with serial outputs. Two communication interfaces are supported in remote display: RS232 and RS485, which can be programmed through front-panel buttons. The RD4/RD6 remote display can be mounted in a 1/2 DIN panel cutout or surface mounted with the included base. The RD4 and RD6 feature big, bright, 21 mm (0.83") and 17.3 mm (0.68") 9-segment LEDs that can be programmed to change color between **GREEN**, **AMBER**, and **RED** to indicate alarms. Serial connections can be made to an RJ11 jack or screw terminals. In the slave mode, the RD4 and RD6 can be used for displaying alphanumeric characters from a computer. Power is supplied from 10 to 36 Vdc power supply or optional universal (100 to 240 Vac) power adaptor. (The compatible host device must have a serial RS232 or RS485 output.)

RD4 in 1/2 DIN panel cutout.

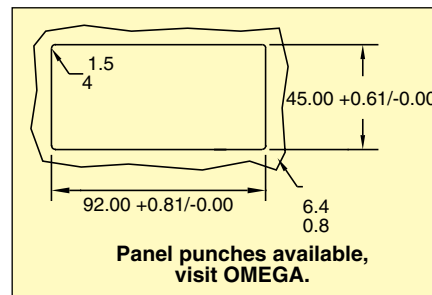
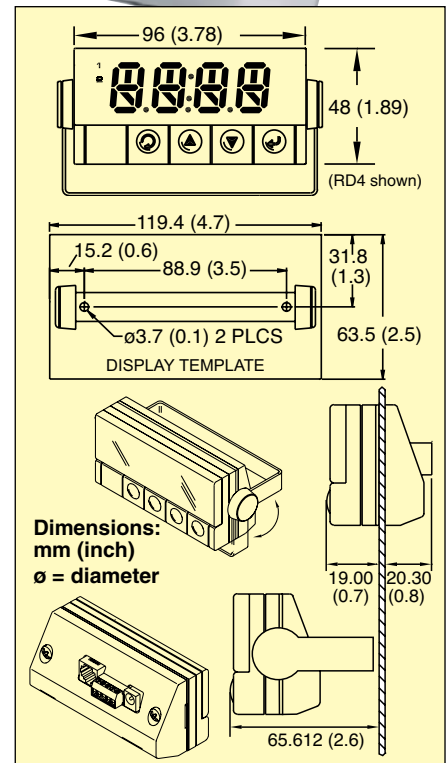
RD6 surface mount with included base.

Shown smaller than actual size.



Specifications

Serial: ASCII interface RS232/RS485
Baud Rate: 300, 600, 1200, 2400, 4800, 9600, 19.2K
Data Formats: 7 data/odd parity/1 stop, 7 data/even parity/1 stop, 8 data/no parity/1 stop
Power Requirements: 10 to 36 Vdc, or optional universal adaptor
Nominal Output: 9 Vdc @ 0.5 mA
Input: 100 to 240 Vac, 50/60 Hz
Storage Temperature: -20 to 85°C (-4 to 185°F)
Relative Humidity: 0 to 85%
Power Consumption: 2 W
Operating Temperature: 0 to 50°C (32 to 122°F)
Protection: NEMA 4 (IP65)
Mechanical Dimensions: 96 x 48 x 39 mm (3.78 x 1.89 x 1.6")
Panel Cutout: 92 x 45 mm (3.622 x 1.772")



Remote Displays change color At Any Setpoint

PATENTED
Totally Programmable Color Displays

To Order	
Model No.	Description
RD4	Product Discontinued display for iSeries monitors and controllers
RD6	Product Discontinued display for iSeries monitors and controllers
Options	
UNIV-AC-100/240	Universal AC power adaptor. Nominal output: 9 Vdc @ 0.5 mA, Input: 100 to 240 Vac, 50/60 Hz

Model No.	Description *Insert 2 or 4 in (*) for LED height
iLD(*)4-C2	4 Digit remote display with ethernet, RS232, RS485/422 input**
iLD(*)6-C2	6 Digit remote display with ethernet, RS232, RS485/422 input**
iLD(*)4-EI	4 Digit remote display with ethernet input**
iLD(*)6-EI	6 Digit remote display with ethernet input**

Comes complete with operator's manual.
 ** See big displays at OMEGA for complete details on these products.
Ordering Examples: RD4 4-digit remote display for iSeries monitors and controllers.
 RD6 6-digit remote display for iSeries meters and controllers.