

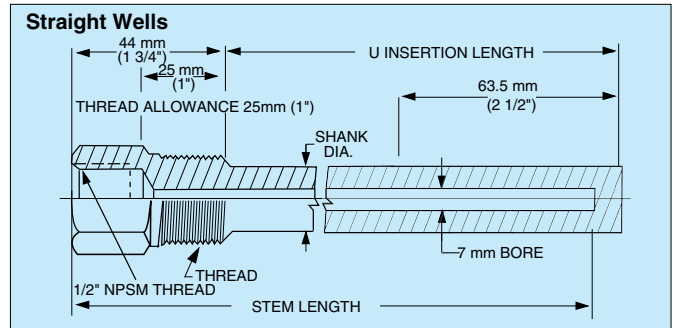
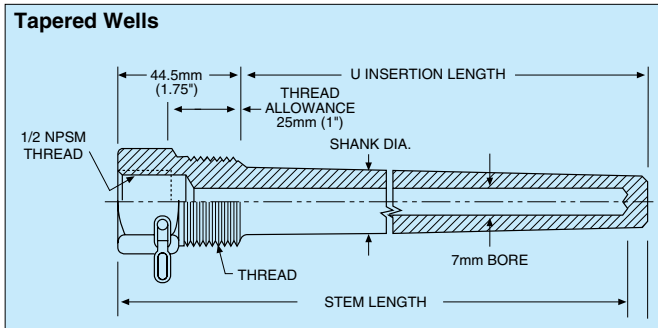
Metric Bore Wells for 6 or 8 mm Diameter Elements



Series 7MM and 9MM[†]
316 SS Standard
Other Materials and Lengths Available
upon Request

BSP or NPT Thread
Straight and Tapered Designs

PFA Coating
Available, see
omega.com



BSP Thread for Tapered or Straight Wells

To Order Visit omega.com/series_bsp_7mm for Pricing and Details

External Thread	Model Number*	Shank Diam	Insertion Length "U" in mm (inches)
1/2" BSP	1/2BSP-7MM-S-U21/2-316SS	15.88 mm (5/8")	64(2 1/2)
1/2" BSP	1/2BSP-7MM-S-U41/2-316SS	15.88 mm (5/8")	114 (4 1/2)
1/2" BSP	1/2BSP-7MM-S-U71/2-316SS	15.88 mm (5/8")	191 (7 1/2)
1/2" BSP	1/2BSP-7MM-S-U101/2-316SS	15.88 mm (5/8")	267 (10 1/2)
1/2" BSP	1/2BSP-7MM-S-U140MM-316SS	15.88 mm (5/8")	140 (5 1/2)
1/2" BSP	1/2BSP-7MM-S-U200MM-316SS	15.88 mm (5/8")	200 (7 3/4)
1/2" BSP	1/2BSP-7MM-S-U260MM-316SS	15.88 mm (5/8")	260 (10 1/4)
3/4" BSP	3/4BSP-7MM-S-U21/2-316SS	15.88 mm (5/8")	64(2 1/2)
3/4" BSP	3/4BSP-7MM-S-U41/2-316SS	19.05 mm (3/4")	114 (4 1/2)
3/4" BSP	3/4BSP-7MM-S-U71/2-316SS	19.05 mm (3/4")	191 (7 1/2)
3/4" BSP	3/4BSP-7MM-S-U101/2-316SS	19.05 mm (3/4")	267 (10 1/2)
3/4" BSP	3/4BSP-7MM-S-U140MM-316SS	19.05 mm (3/4")	140 (5 1/2)
3/4" BSP	3/4BSP-7MM-S-U200MM-316SS	19.05 mm (3/4")	200 (7 3/4)
3/4" BSP	3/4BSP-6MM-S-U260MM-316SS	19.05 mm (3/4")	260 (10 1/4)

NPT Threads for Tapered or Straight Wells

To Order Visit omega.com/series_bsp_7mm for Pricing and Details

External Thread	Model Number*	Shank Diam	Insertion Length "U" in mm (inches)
1/2" NPT	1/2-7MM-S-U21/2-316SS	15.88 mm (5/8")	64(2 1/2)
1/2" NPT	1/2-7MM-S-U41/2-316SS	15.88 mm (5/8")	114 (4 1/2)
1/2" NPT	1/2-7MM-S-U71/2-316SS	15.88 mm (5/8")	191 (7 1/2)
1/2" NPT	1/2-7MM-S-U101/2-316SS	15.88 mm (5/8")	267 (10 1/2)
1/2" NPT	1/2-7MM-S-U140MM-316SS	15.88 mm (5/8")	140 (5 1/2)
1/2" NPT	1/2-7MM-S-U200MM-316SS	15.88 mm (5/8")	200 (7 3/4)
1/2" NPT	1/2-7MM-S-U260MM-316SS	15.88 mm (5/8")	260 (10 1/4)
3/4" NPT	3/4-7MM-S-U21/2-316SS	19.05 mm (3/4")	64(2 1/2)
3/4" NPT	3/4-7MM-S-U41/2-316SS	19.05 mm (3/4")	114 (4 1/2)
3/4" NPT	3/4-7MM-S-U71/2-316SS	19.05 mm (3/4")	191 (7 1/2)
3/4" NPT	3/4-7MM-S-U101/2-316SS	19.05 mm (3/4")	267 (10 1/2)
3/4" NPT	3/4-7MM-S-U140MM-316SS	19.05 mm (3/4")	140 (5 1/2)
3/4" NPT	3/4-7MM-S-U200MM-316SS	19.05 mm (3/4")	200 (7 3/4)
3/4" NPT	3/4-7MM-S-U260MM-316SS	19.05 mm (3/4")	260 (10 1/4)
1" NPT	1-7MM-S-U21/2-316SS	22.22 mm (7/8")	64(2 1/2)
1" NPT	1-7MM-S-U41/2-316SS	22.22 mm (7/8")	114 (4 1/2)
1" NPT	1-7MM-S-U71/2-316SS	22.22 mm (7/8")	191 (7 1/2)
1" NPT	1-7MM-S-U101/2-316SS	22.22 mm (7/8")	267 (10 1/2)
1" NPT	1-7MM-S-U140MM-316SS	22.22 mm (7/8")	140 (5 1/2)
1" NPT	1-7MM-S-U200MM-316SS	22.22 mm (7/8")	200 (7 3/4)
1" NPT	1-7MM-S-U260MM-316SS	22.22 mm (7/8")	260 (10 1/4)

[†] For wells with a 9 mm BORE, replace "7MM" in the model number to "9MM" and consult sales for price.

* For tapered wells, replace "-S-" with "-H-". Consult Sales for price.

Ordering Example: 3/4BSP-7MM-S-U260MM-316SS, straight well for 6 mm element, 260 mm insertion length, with 3/4" BSP external thread, 316 SS material.

Cap and Chain Options:

For Brass cap, add suffix "-CC-Brass" to the end of the model number for an additional cost.

For 304 SS cap, add suffix "-CC" to the end of the model number for an additional cost.

To order, please specify: 1. Complete model number, 2. Material, 3. Cap and chain — if desired, add cap and chain for an additional cost.

BSP Threaded Wells for 1/4" Diameter Elements

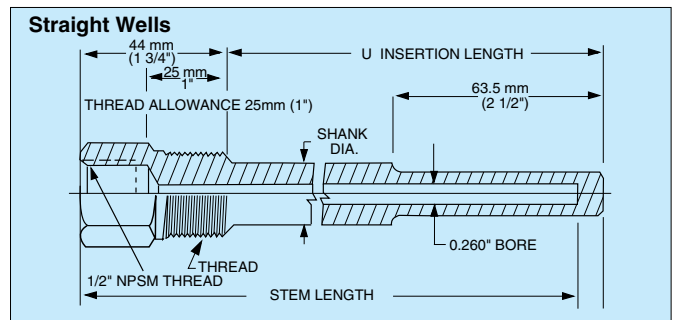
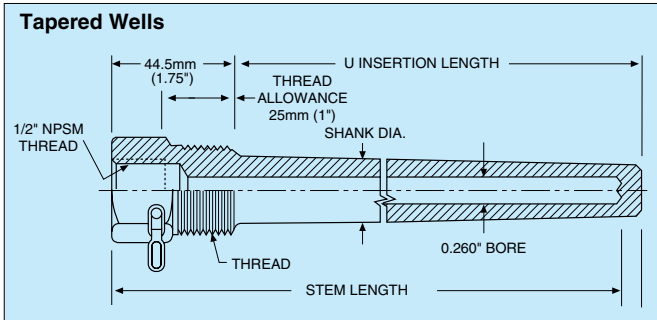
PFA Coating Available, see omega.com

B



Series 260
316 SS Standard,
Other Materials and Lengths Available
upon Request

BSP or NPT Thread
Straight and Tapered Designs



BSP Threads for Tapered or Straight Wells

To Order Visit omega.com/series_bsp_7mm for Pricing and Details		
External Thread	Model Number*	Insertion Length "U" in mm (inches)
1/2" BSP	1/2BSP-260S-U21/2-316SS	64 (2 1/2)
1/2" BSP	1/2BSP-260S-U41/2-316SS	114 (4 1/2)
1/2" BSP	1/2BSP-260S-U71/2-316SS	191 (7 1/2)
1/2" BSP	1/2BSP-260S-U101/2-316SS	267 (10 1/2)
1/2" BSP	1/2BSP-260S-U140MM-316SS	140 (5 1/2)
1/2" BSP	1/2BSP-260S-U200MM-316SS	200 (7 7/8)
1/2" BSP	1/2BSP-260S-U260MM-316SS	260 (10 1/4)
3/4" BSP	3/4BSP-260S-U21/2-316SS	64 (2 1/2)
3/4" BSP	3/4BSP-260S-U41/2-316SS	114 (4 1/2)
3/4" BSP	3/4BSP-260S-U71/2-316SS	191 (7 1/2)
3/4" BSP	3/4BSP-260S-U101/2-316SS	267 (10 1/2)
3/4" BSP	3/4BSP-260S-U140MM-316SS	140 (5 1/2)
3/4" BSP	3/4BSP-260S-U200MM-316SS	200 (7 7/8)
3/4" BSP	3/4BSP-260S-U260MM-316SS	260 (10 1/4)

* For tapered wells, replace "260S" in model number with "260H". Consult Sales for price.

Ordering Example: 3/4BSP-260S-U260MM-316SS, straight well for 1/4" element, 260 mm insertion length, with 3/4" BSP external thread, 316 SS material.

Cap and Chain Options:

For Brass cap, add suffix "-CC-Brass" to the end of the model number for an additional cost.

For 304 SS cap, add suffix "-CC" to the end of the model number for an additional cost.

NPT Threads for Tapered or Straight Wells

To Order Visit omega.com/series_bsp_7mm for Pricing and Details		
External Thread	Model Number*	Insertion Length "U" in mm (inches)
1/2" NPT	1/2-260S-U21/2-316SS	64 (2 1/2)
1/2" NPT	1/2-260S-U41/2-316SS	114 (4 1/2)
1/2" NPT	1/2-260S-U71/2-316SS	191 (7 1/2)
1/2" NPT	1/2-260S-U101/2-316SS	267 (10 1/2)
1/2" NPT	1/2-260S-U140MM-316SS	140 (5 1/2)
1/2" NPT	1/2-260S-U200MM-316SS	200 (7 7/8)
1/2" NPT	1/2-260S-U260MM-316SS	260 (10 1/4)
3/4" NPT	3/4-260S-U21/2-316SS	64 (2 1/2)
3/4" NPT	3/4-260S-U41/2-316SS	114 (4 1/2)
3/4" NPT	3/4-260S-U71/2-316SS	191 (7 1/2)
3/4" NPT	3/4-260S-U101/2-316SS	267 (10 1/2)
3/4" NPT	3/4-260S-U140MM-316SS	140 (5 1/2)
3/4" NPT	3/4-260S-U200MM-316SS	200 (7 7/8)
3/4" NPT	3/4-260S-U260MM-316SS	260 (10 1/4)
1" NPT	1-260S-U21/2-316SS	64 (2 1/2)
1" NPT	1-260S-U41/2-316SS	114 (4 1/2)
1" NPT	1-260S-U71/2-316SS	191 (7 1/2)
1" NPT	1-260S-U101/2-316SS	267 (10 1/2)
1" NPT	1-260S-U140MM-316SS	140 (5 1/2)
1" NPT	1-260S-U200MM-316SS	200 (7 7/8)
1" NPT	1-260S-U260MM-316SS	260 (10 1/4)

To order, please specify: 1. Complete model number, 2. Material, 3. Cap and chain — if desired, add cap and chain for an additional cost.