

CONNECTOR/TRANSMITTER

FOR SANITARY PT100 PROBES WITH M12 CONNECTOR

SPLASH-PROOF BODY AND INTEGRAL CABLE

SANITARY S

SPRTX-SS Series



The Smart Connector™



Built-In Transmitter Housing!



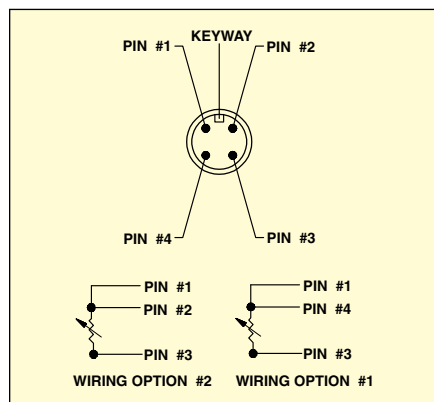
- ✓ Miniature Design Attaches Directly to Pt100 Sensors with M12 Connector
- ✓ 2-Wire, 4 to 20 mA Output
- ✓ ±0.5% FS Accuracy
- ✓ Upscale Break Protection
- ✓ Encapsulated Signal Conditioner with Water Tight Connector Housing
- ✓ Integral 4 m (12') Cable with Stripped Leads on One End

The SPRTX-SS temperature transmitters are high performance low cost industrial transmitters designed for direct connection to most CIP (clean-in-place) sanitary Pt100 probes with an M12 style connection. The SPRTX-SS transmitter attaches directly to a Pt100 probe with an M12 connection, such as the OMEGA® PRS-S-M12C Series, and provides a standard 4 to 20 mA output signal.

Input: RTD, Pt100 (0.00385 curve), 3 or 4-wire; M12 4-pin female connector
Ambient Temperature: -40 to 85°C (-40 to 185°F)
Probe/Sensor Connection: M12 style, 4-pin female
Output Connection: Integral 2-wire shielded polyurethane cable, 4 m (12')
Approvals: CE marked
Dimensions: 76 H x 20 mm Dia (3.0 x 0.8") without cable
Weight: 110 g (0.25 lb) max, with cable

SPECIFICATIONS

Supply Voltage: 9 to 24 Vdc @ 30 mA max
Max Loop Resistance: (Vs - 9V) / 0.020 A
Output Range: Linearized 4 to 20 mA dc over specified input range
Accuracy: ±0.5% FS @ 23°C (73°F)
Repeatability: ±0.25°C (0.5°F)
Temperature Effect: ±0.00022 mA/°C (0.00012 mA/°F)



To Order

MODEL NO.	INPUT RANGE
SPRTX-SS1-M12-*	-99 to 208°C
SPRTX-SS2-M12-*	2 to 569°C

(* Specify wiring option (see diagrams): "1" for wiring option 1, "2" for wiring option 2

Accessories

MODEL NO.	INPUT RANGE
SCTX2-100	Extension cable, 2-wire shielded, 30 m (100')
PSR-24S	Regulated power supply, 24 Vdc, 400 mA, screw terminals
PSR-24L	Regulated power supply, 24 Vdc, 400 mA, UL, 1.8 m (6') cable with stripped leads
PSR-24L-230	Regulated power supply, 24 Vdc, 400 mA, 230 Vac, CE, 1.8 m (6') cable with stripped leads
SCE-604ELJ*	NEMA type 4 enclosure 6 H x 4 W x 4" D
CAL-3†	NIST traceable calibration with data

Comes complete with operator's manual.

* For ELJ Series enclosures and sub-panels visit omega.com/sce_elj

Ordering Example: SPRTX-SS1-M12-1, temperature transmitter with Pt100 input, -99 to 208°C (-146 to 406°F) range, 4 to 20 mA output, wiring option 1, M12 female connector for probes (input) and 4 m (12') cable with PSR-24S, screw terminal power supply.