

Solid State Relays

DC-Input; 12, 20, 40 A, 100 Vdc Output

SSRDC100V Series



- Optically Isolated
- Wide Control Range
- High Surge Ratings
- Compatible with Most Logic Systems
- 1500 Volt Isolation
- 100% Tested at Rated Current
- Fast Switching Times
- Optional Clear Plastic Safety Cover

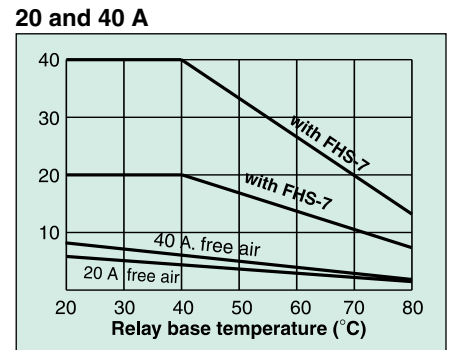
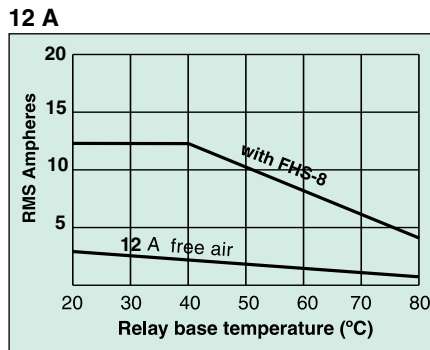
OMEGA's SSRDC100V Series solid state relays are DC input/DC output switching devices with no moving parts. These SSR's are capable of switching at high speeds without the noise associated with electromechanical relays. MOSFET outputs provide reliable switching.



SSRDC100VDC12 shown actual size.

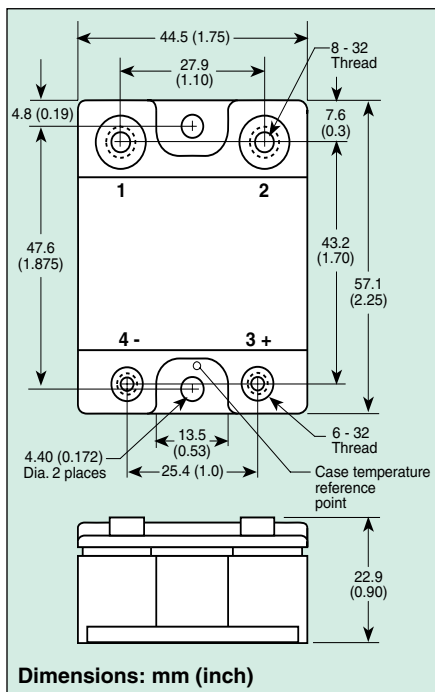


SSRDC-COVER shown actual size.



DC Control Specifications

Model No.	Line Voltage Range (Vdc)	Load Current Range (A)	Min Control Voltage and Current Draw	Max Control Voltage and Current Draw	Release Voltage (Vdc)
SSRDC100VDC12	0 to 100	12	4 Vdc/ 6 mA	32 Vdc/ 10 mA	1
SSRDC100VDC20	0 to 100	20	4 Vdc/ 6 mA	32 Vdc/ 10 mA	1
SSRDC100VDC40	0 to 100	40	4 Vdc/ 6 mA	32 Vdc/ 10 mA	1



To Order		
Model No.	Description	Nominal Rating
SSRDC100VDC12	DC control signal (100 Vdc line)	12 A
SSRDC100VDC20		20 A
SSRDC100VDC40		40 A
SSRDC-COVER	Finned heat sink	—
FHS-7		1.0 C/W

Comes complete with operator's manual.

Ordering Example: SSRDC100VDC12, DC solid state relay with 12 A nominal rating.