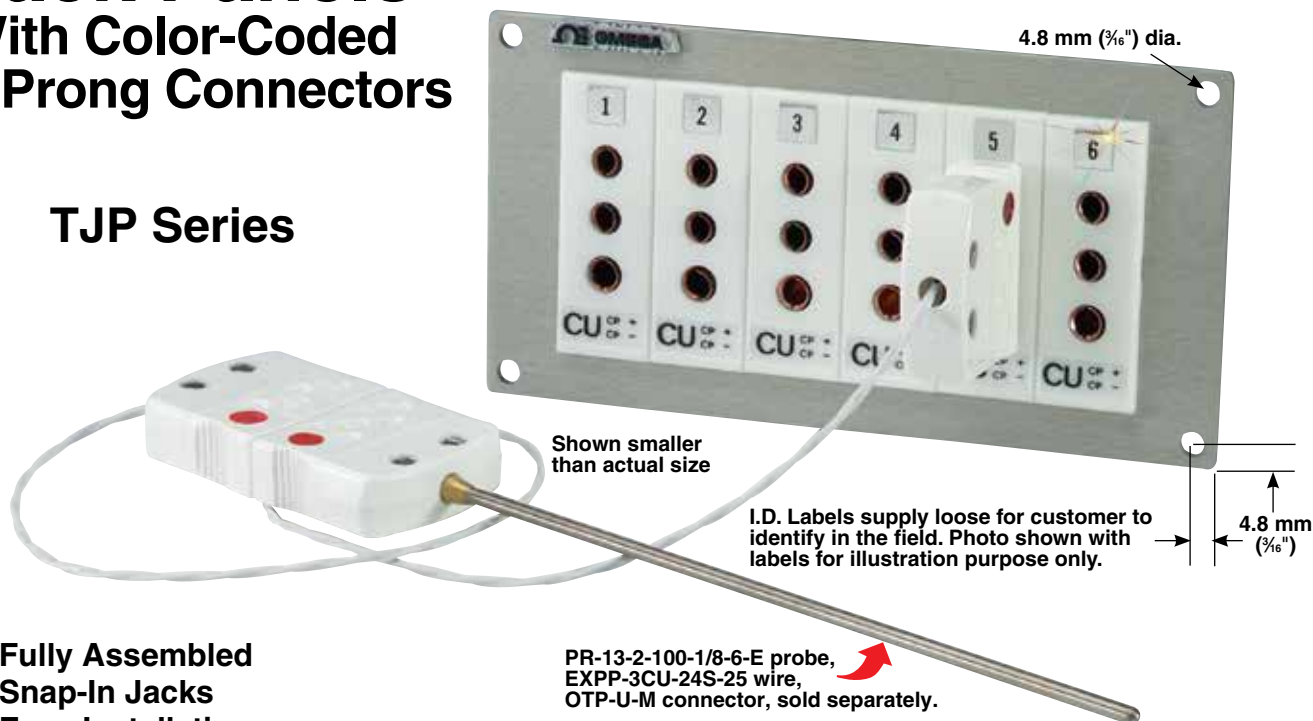


Jack Panels With Color-Coded 3 Prong Connectors



TJP Series



- ✓ Fully Assembled
- ✓ Snap-In Jacks
- ✓ Easy Installation
- ✓ Convenient
- ✓ Rugged 2.4 mm ($\frac{3}{32}$ ") Anodized Panels

Omega™ jack panels are for use with RTD's, thermistors and shielded thermocouples. Using the TJP snap-in panel jacks, the same versatility given to thermocouples is now possible for sensors requiring 3 lead wires.

The snap-in jacks have 3 female terminals that will accept any 3 prong OTP male connector. They can accommodate wires up to 14 AWG and are made from alloys to match ANSI thermocouple grade calibrations.

The TJP panel jacks are made of rugged, high impact plastic, and have a maximum service temperature of 205°C (400°F). They are mounted in 2.4 mm ($\frac{3}{32}$ ") panels of anodized aluminum.

Consult Custom Engineering Department for information on custom color-coded anodized panels. Non-standard Panels: \$1,000 minimum order. Contact custom@omega.com for pricing and availability.

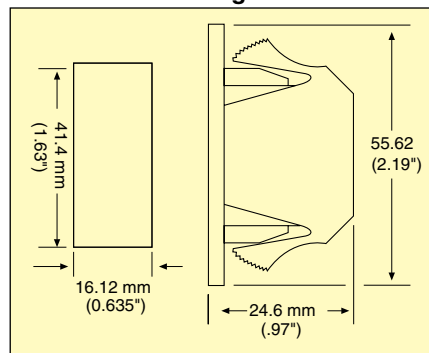
Note: Male plugs can be supplied in place of the female jacks on all Omega panels, if desired.

Note: All Omega TJP jack panels are assembled at no extra cost!

Hole Spacing:

$\frac{3}{16}$ " on both sides,
 $\frac{3}{16}$ " diameter hole for #8 screw

Mounts in a Rectangular Cutout



Extra ID Number Labels:

| | |
|---------------|------------|
| Model 1-6L, | 1 thru 6 |
| Model 1-12L, | 1 thru 12 |
| Model 1-18L, | 1 thru 18 |
| Model 1-24L, | 1 thru 24 |
| Model 1-50L, | 1 thru 50 |
| Model 1-100L, | 1 thru 100 |

To Order

| Circuits Per Row | Dimensions mm (inch) | 1 Row 76 H (3") | 2 Rows 133 H (5¼") | 3 Rows 203 H (8") | 4 Rows 254 H (10") |
|-----------------------|----------------------|--------------------|-----------------------|----------------------|-----------------------|
| 6 146 mm L (5¾") | Model No. | TJP1-06-[*] | TJP2-12-[*] | TJP3-18-[*] | TJP4-24-[*] |
| 12 260 mm L (10¼") | Model No. | TJP1-12-[*] | TJP2-24-[*] | TJP3-36-[*] | TJP4-48-[*] |
| 18 375 mm L (14¾") | Model No. | TJP1-18-[*] | TJP2-36-[*] | TJP3-54-[*] | TJP4-72-[*] |

* Insert J, K, T, E, N, or U thermocouple calibration. Minimum order required for non-standard.
Ordering Example: TJP2-36-K, Double row color-coded jack panel with Type K connector.