

Snap-Action Temperature Switches



TSW-TD Series



- ✓ High-Quality Snap-Action Switch
- ✓ 5 Amp Contacts
- ✓ Shock and Vibration Resistant
- ✓ 1/2 NPT Mounting Threads
- ✓ Factory Preset Temperature
- ✓ Economical and Compact
- ✓ NEMA 4, 13

OMEGA's TSW-TD Series high quality snap-action temperature switches are perfect for applications that require an economical solution to simple temperature control. All switches activate with a rise in temperature and are shock and vibration resistant. TSW-TD Series offer a wide range of temperature pre-set values to select from.

Specifications

Set Point Range: 65 to 149°C (150 to 300°F)

Set Point Tolerance: ±2.8°C (5°F)

Maximum Operating Temperature: 163°C (325°F)

Differential: -13.3 to -8.8°C (8 to 16°F)

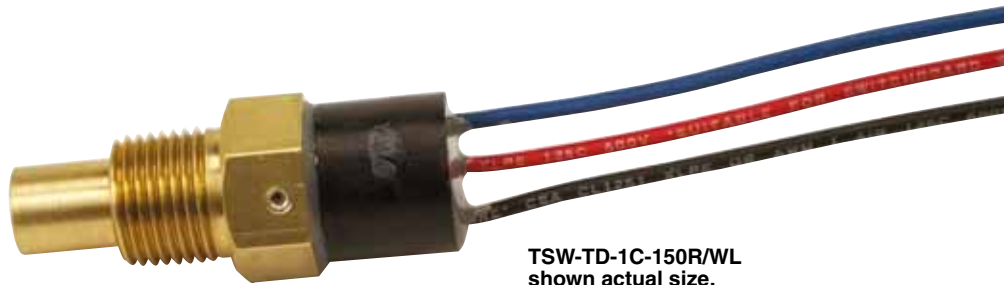
Current Rating: 5 A @ 250 Vac, 5 A @ 30 Vdc (resistive)

Media Connection: 1/2 NPT male threads

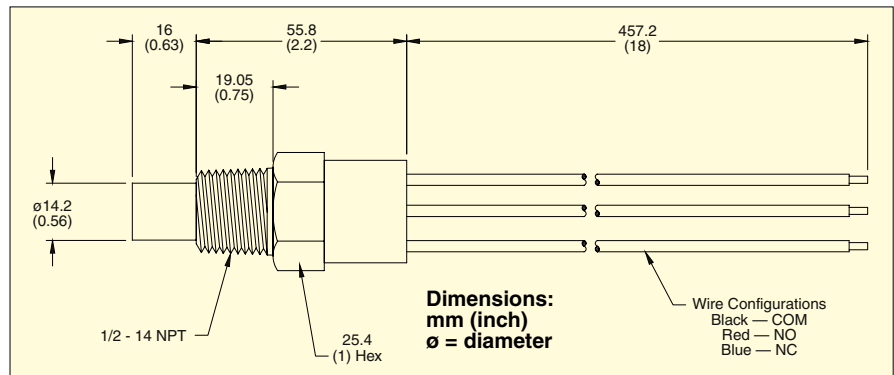
Circuit Form: SPDT

Electrical Connection: 457 mm (18") wire leads

Maximum External Pressure: 2500 psi



TSW-TD-1C-150R/WL shown actual size.



To Order	
Model No.	Description
TSW-TD-1C-150R/WL	SPDT contacts, 65°C (150°F)
TSW-TD-1C-160R/WL	SPDT contacts, 71°C (160°F)
TSW-TD-1C-170R/WL	SPDT contacts, 77°C (170°F)
TSW-TD-1C-180R/WL	SPDT contacts, 82°C (180°F)
TSW-TD-1C-190R/WL	SPDT contacts, 88°C (190°F)
TSW-TD-1C-200R/WL	SPDT contacts, 93°C (200°F)
TSW-TD-1C-210R/WL	SPDT contacts, 99°C (210°F)
TSW-TD-1C-220R/WL	SPDT contacts, 104°C (220°F)
TSW-TD-1C-230R/WL	SPDT contacts, 110°C (230°F)
TSW-TD-1C-240R/WL	SPDT contacts, 115°C (240°F)
TSW-TD-1C-250R/WL	SPDT contacts, 121°C (250°F)
TSW-TD-1C-260R/WL	SPDT contacts, 127°C (260°F)
TSW-TD-1C-270R/WL	SPDT contacts, 132°C (270°F)
TSW-TD-1C-280R/WL	SPDT contacts, 138°C (280°F)
TSW-TD-1C-290R/WL	SPDT contacts, 143°C (290°F)
TSW-TD-1C-300R/WL	SPDT contacts, 149°C (300°F)