

PRESSURE COMPENSATION DEVICE

NEW

DA284 Series
Starts at
\$ 14



- High Degree of Protection
- Semipermeable Membrane
- Easy to Install
- Corrosion Resistant (SS Model)
- Food Safe (SS Model)

Pressure differentials in enclosures with a high degree of protection with respect to humidity and dust are a result of inside and outside temperature fluctuations. In case of negative pressure or vacuum, dust and humidity can be absorbed through the door seal and can enter the enclosure. As the humidity cannot exit the enclosure condensation may occur. The easy to install pressure compensation device DA284 provides the compensation of pressure at a protection degree of NEMA 4X (IP66). A semipermeable membrane inside the plug allows air and humidity to leave the enclosure. In the opposite direction, it only allows dry air into the enclosure while humidity and dust from the outside are blocked by the membrane.

SPECIFICATIONS

Art. No. Protection Type 1 Packing Unit Weight (Approx.):

28400.0-00 IP66 (EN 60529)/IPX9K (EN 40050-9) 2 pieces 90 g (0.20 lb) (45 g/piece)
28400.0-01 IP66 (EN 60529)/IPX9K (EN 40050-9) 1 piece 45 g (0.10 lb)

Mounting Thread: M40 x 1.5 with nut

Depth in Enclosure: Approx. 16 mm (0.63") [SS model 9 mm (0.35")]

Material: Plastic, light gray (SS model V2A- DIN 1.4404/AISI 316L)

Sealing: Sealing gasket NBR

Filter: Semipermeable membrane

Air Permeability: 1200l/h at a pressure difference of min. 70 mbar

Dimensions: Ø 60 x 37 mm (2.4 x 1.5")
SS Model: Ø 58 x 31 mm (2.3 x 1.2")

Fitting Position: Variable

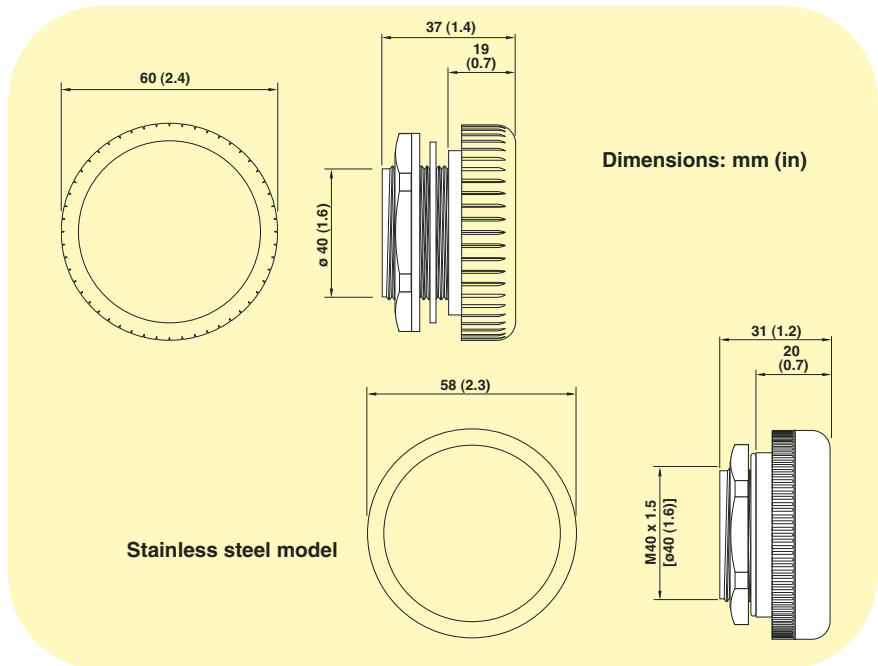
Operating/Storage Temperature: -45 to 70°C (-49 to 158°F)



DA2842840000, \$14, shown smaller than actual size.



Installation: Make cut-out Ø 40.5 + 0.5 mm (1.6 + 0.02") in enclosure wall and mount pressure compensation device with nut. Please make sure that the sealing gasket is put in place on the outer side panel of the enclosure. For optimal pressure compensation we recommend to use two devices on opposite sides towards the top of the enclosure.



To Order (Specify Model Number)

AVAILABLE FOR FAST DELIVERY!

MODEL NO.	PRICE	PROTECTION TYPE	1 PACKING UNIT	WEIGHT
DA2842840000	\$14	NEMA 4X (IP66) (EN 60529)/IPX9K (EN 40050-9) ABS plastic	2 pcs	90 g (45 g/piece)
DA2842840100	76	NEMA 4X (IP66) (EN 60529)/IPX9K (EN 40050-9) stainless steel	1 pc	160 g

Comes with operator's manual.

Ordering Example: DA2842840000, NEMA 4X (IP66) (EN 60529)/IPX9K (EN 40050-9), \$14.

omega.co.uk®

Your One-Stop Source for Process Measurement and Control!

Freephone 0800 488 488 | International +44(0) 161 777 6622 | Fax +44(0) 161 777 6622 | Sales@omega.co.uk

www.omega.co.uk



UNITED STATES

www.omega.com

1-800-TC-OMEGA

Stamford, CT.

CANADA

www.omega.ca

Laval(Quebec)

1-800-TC-OMEGA

GERMANY

www.omega.de

Deckenpfronn, Germany

0800-8266342

UNITED KINGDOM

www.omega.co.uk

Manchester, England

0800-488-488

FRANCE

www.omega.fr

088-466-342

CZECH REPUBLIC

www.omegaeng.cz

Karviná, Czech Republic

596-311-899

BENELUX

www.omega.nl

0800-099-33-44



More than 100,000 Products Available!

• Temperature

Calibrators, Connectors, General Test and Measurement Instruments, Handheld Instruments for Temperature Measurement, Ice Point References, Indicating Labels, Crayons, Cements and Lacquers, Infrared Temperature Measurement Instruments, Recorders, Relative Humidity Measurement Instruments, PT100 Probes, PT100 Elements, Temperature & Process Meters, Timers and Counters, Temperature and Process Controllers and Power Switching Devices, Thermistor Elements, Probes and Assemblies, Thermocouples, Thermowells and Head and Well Assemblies, Transmitters, Thermocouple Wire, RTD Probes

• Flow and Level

Air Velocity Indicators, Doppler Flowmeters, Level Measurement, Magnetic Flowmeters, Mass Flowmeters, Pitot Tubes, Pumps, Rotameters, Turbine and Paddle Wheel Flowmeters, Ultrasonic Flowmeters, Valves, Variable Area Flowmeters, Vortex Shedding Flowmeters

• pH and Conductivity

Conductivity Instrumentation, Dissolved Oxygen Instrumentation, Environmental Instrumentation, pH Electrodes and Instruments, Water and Soil Analysis Instrumentation

• Data Acquisition

Auto-Dialers and Alarm Monitoring Systems, Communication Products and Converters, Data Acquisition and Analysis Software, Data Loggers Plug-in Cards, Signal Conditioners, USB, RS232, RS485 and Parallel Port Data Acquisition Systems, Wireless Transmitters and Receivers

• Pressure, Strain and Force

Displacement Transducers, Dynamic Measurement Force Sensors, Instrumentation for Pressure and Strain Measurements, Load Cells, Pressure Gauges, Pressure Reference Section, Pressure Switches, Pressure Transducers, Proximity Transducers, Regulators, Pressure Transmitters, Strain Gauges, Torque Transducers, Valves

• Heaters

Band Heaters, Cartridge Heaters, Circulation Heaters, Comfort Heaters, Controllers, Meters and Switching Devices, Flexible Heaters, General Test and Measurement Instruments, Heater Hook-up Wire, Heating Cable Systems, Immersion Heaters, Process Air and Duct, Heaters, Radiant Heaters, Strip Heaters, Tubular Heaters