

# FILTER FANS FOR LARGER ENCLOSURES

**NEW**

FF01821  
\$131



- Filter Changeable from Outside
- Safe, Lockable
- Impact Resistant
- Weather Proof

This outdoor filter fan can be used in outdoor enclosures where warm air has to be dissipated on account of increased thermic development. To clean and exchange the filter mat, it is only necessary to open the lockable door of the outdoor hood. A protection type of NEMA 4 (IP55) is achieved due to the special design of the hood and the use of fine filter mats. The plastic casing is impact resistant, highly weather proof and resistant to UV light.

## SPECIFICATIONS

**Filter Mat:** Fine grade 360 g/m<sup>2</sup>, filtering degree 98% particle Ø >10 µm, F5 (EN 779)

**Air Flow Free Blowing:** 11.8 cfm (20 m<sup>3</sup>/h)

**Current Consumption:** 180 mA

**Power Consumption:** 15 W

**Average Noise Level at 10 m (3'):** (DIN EN ISO 9614-2) 40 dB (A)

**Mounting Depth:** 62 mm (2.4")

**Enclosure Cut-Out:** 125 x 125 mm (4.9 x 4.9") ±0.4

**Weight:** Approx 1.2 kg (2.6 lb)

**Protection Type:** NEMA 4 (IP55)

**Axial Fan:** Ball bearing, aluminum frame, plastic impeller UL94V-0; operational life min 50,000 hrs at 25°C (77°F) (RH 65%); ambient temperature -30 to 70°C (-22 to 158°F); connection 3-pole terminal, AWG 14 [2.5 mm<sup>2</sup> (0.10")] max

**Filter Fan and Exhaust Filter Housing:** Plastic, UL94V-0; color light gray, temperature resistant -0.5 to 70°C (-31 to 158°F)



**Mounting Frame:** With double sided industrial adhesive tape for affixing to the outside of enclosure; certain operating conditions may make the additional use of screws necessary

**Filter Material:** Synthetic fiber with progressive construction, temperature resistant to 100°C (212°F), self-extinguishing class F1; moisture resistant to 100% RH; can be cleaned by washing or vacuuming for reuse

## EXHAUST FILTER

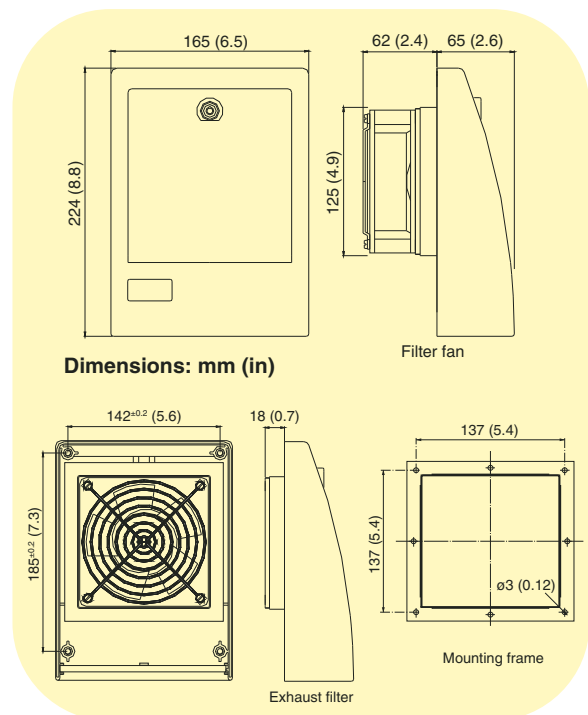
**Filter Mat:** Medium grade 360 g/m<sup>2</sup>, filtering degree 98% for particle Ø <10 µm, F5 (EN 779)

**Mounting Depth:** 16 mm (0.6")

**Enclosure Cut-Out:** 125 x 125 mm (4.9 x 4.9") ±0.4

**Weight:** 0.60 kg (1.3 lb)

FF0182101821002, \$131, shown smaller than actual size.



## To Order (Specify Model Number)

## AVAILABLE FOR FAST DELIVERY!

MODEL NO.	PRICE	DESCRIPTION
FF0182101821002	\$131	Outdoor filter fan
EF1182111821000	95	Outdoor exhaust filter

Comes with complete operator's manual.

Ordering Example: FF0182101821002, outdoor filter fan, \$131.

# omega.co.uk<sup>®</sup>

Your One-Stop Source for Process Measurement and Control!

Freephone 0800 488 488 | International +44(0) 161 777 6622 | Fax +44(0) 161 777 6622 | Sales@omega.co.uk

[www.omega.co.uk](http://www.omega.co.uk)



#### UNITED STATES

[www.omega.com](http://www.omega.com)

1-800-TC-OMEGA  
Stamford, CT.

#### UNITED KINGDOM

[www.omega.co.uk](http://www.omega.co.uk)

Manchester, England  
0800-488-488  
+44-(0)161-777-6611

#### CANADA

[www.omega.ca](http://www.omega.ca)

Laval(Quebec)  
1-800-TC-OMEGA

#### FRANCE

[www.omega.fr](http://www.omega.fr)

0800-466-342

#### GERMANY

[www.omega.de](http://www.omega.de)

Deckenfronn, Germany  
0800-8266342

#### BENELUX

[www.omega.nl](http://www.omega.nl)

0800-099-33-44



## More than 100,000 Products Available!

### • Temperature

Calibrators, Connectors, General Test and Measurement Instruments, Handheld Instruments for Temperature Measurement, Ice Point References, Indicating Labels, Crayons, Cements and Lacquers, Infrared Temperature Measurement Instruments, Recorders, Relative Humidity Measurement Instruments, PT100 Probes, PT100 Elements, Temperature & Process Meters, Timers and Counters, Temperature and Process Controllers and Power Switching Devices, Thermistor Elements, Probes and Assemblies, Thermocouples, Thermowells and Head and Well Assemblies, Transmitters, Thermocouple Wire, RTD Probes

### • Flow and Level

Air Velocity Indicators, Doppler Flowmeters, Level Measurement, Magnetic Flowmeters, Mass Flowmeters, Pitot Tubes, Pumps, Rotameters, Turbine and Paddle Wheel Flowmeters, Ultrasonic Flowmeters, Valves, Variable Area Flowmeters, Vortex Shedding Flowmeters

### • pH and Conductivity

Conductivity Instrumentation, Dissolved Oxygen Instrumentation, Environmental Instrumentation, pH Electrodes and Instruments, Water and Soil Analysis Instrumentation

### • Data Acquisition

Communication Products and Converters, Data Acquisition and Analysis Software, Data Loggers Plug-in Cards, Signal Conditioners, USB, RS232, RS485, Ethernet and Parallel Port Data Acquisition Systems, Wireless Transmitters and Receivers

### • Pressure, Strain and Force

Displacement Transducers, Dynamic Measurement Force Sensors, Instrumentation for Pressure and Strain Measurements, Load Cells, Pressure Gauges, Pressure Reference Section, Pressure Switches, Pressure Transducers, Proximity Transducers, Regulators, Pressure Transmitters, Strain Gauges, Torque Transducers, Valves

### • Heaters

Band Heaters, Cartridge Heaters, Circulation Heaters, Comfort Heaters, Controllers, Meters and Switching Devices, Flexible Heaters, General Test and Measurement Instruments, Heater Hook-up Wire, Heating Cable Systems, Immersion Heaters, Process Air and Duct, Heaters, Radiant Heaters, Strip Heaters, Tubular Heaters