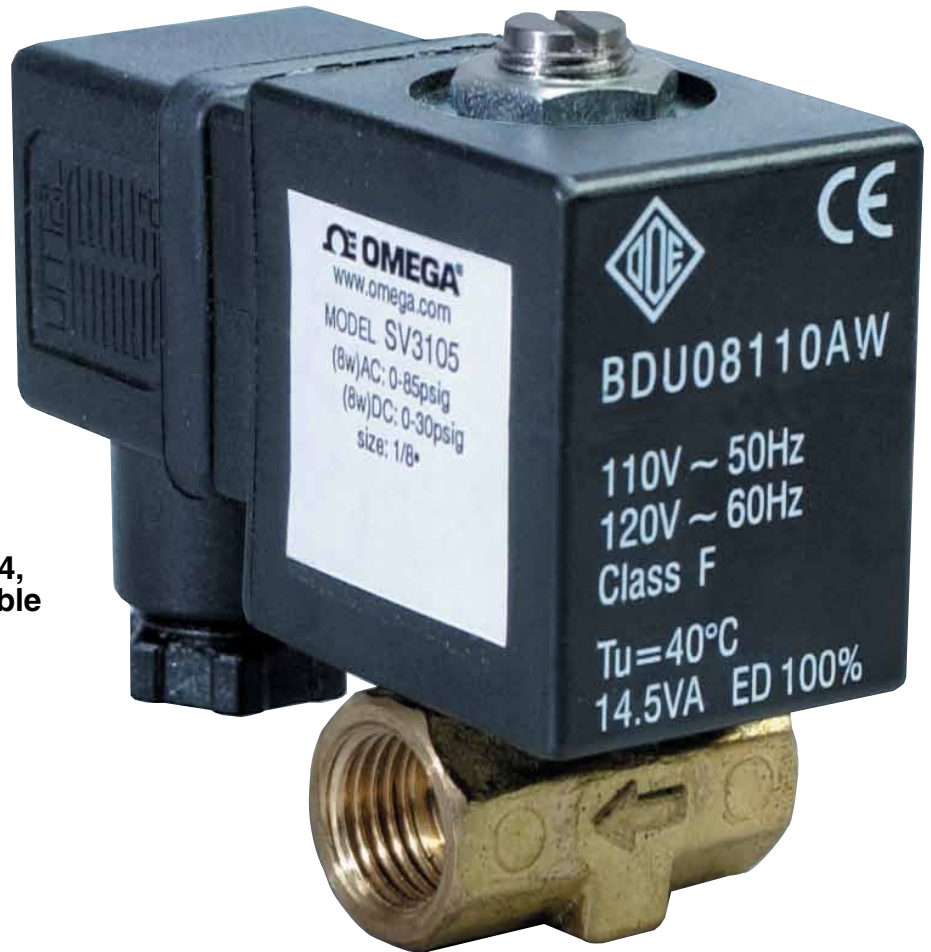


2-WAY, LOW-COST, DIRECT-ACTING SOLENOID VALVES

SVM3100 Series



- ✓ Ideal for Compressed Air, Inert Gas, Water, and Synthetic Oils
- ✓ Normally Closed
- ✓ Process Temperature to 140°C
- ✓ 12V or 24V DC Coils and 24, 115 & 240 Vac Coils Available



SVM3105 with SV8Coil-115AC.

SVM3100 Series 2-way solenoid valves are direct-acting valves featuring brass and stainless steel construction and FKM seal material. The temperature range of -10 to 140°C is ideal for neutral media such as compressed air, inert gases, water, and synthetic oils.

SPECIFICATIONS

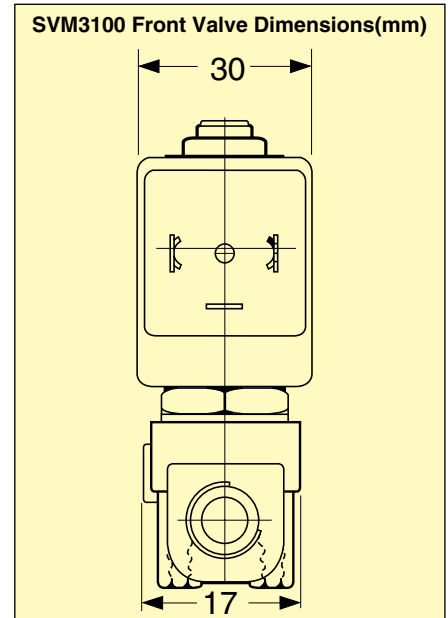
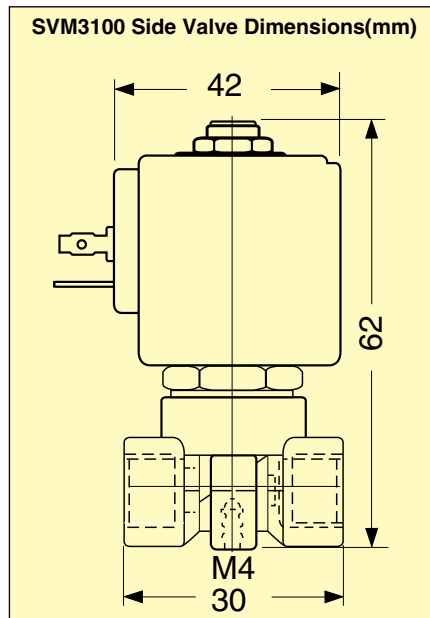
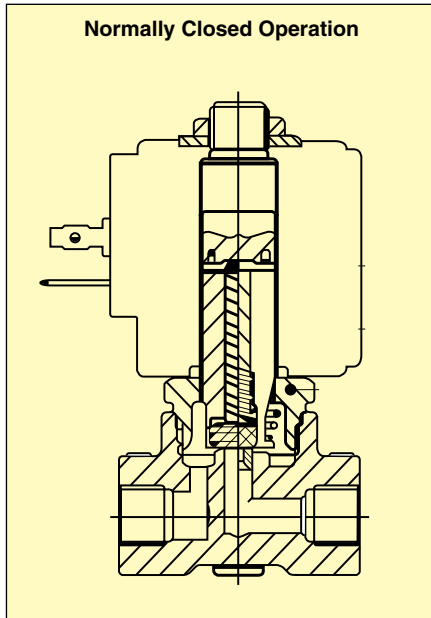
Mounting Position: Any (preferably with solenoid system upright)
Maximum Process Temperature: 140°C due to FKM O-ring
Maximum Ambient Temperature: Coil dependent (See ratings on coils)
Voltage Tolerance: ±10%
Opening Time (msec):
 AC: 10 to 20
 DC: 20 to 80 depending on orifice and pressure
Closing Time (msec):
 AC and DC: Approx. 20 to 30

Cycling Rate: Approx. 1000 cpm
Duty Cycle: Continuous (100%)
Coil Molding Material:

Black Polyester (Class F):
 SV8COIL-115AC
 SV8COIL-24DC/60HZ
 SV8COIL-24AC/50 to 60HZ
 SV8COIL-220AC
Black Polyamide (Class F):
 SV8COIL-12DC, SV8COIL-24DC
Black Polyphenylsulphide (Class H): SV8COIL-115/60HZ

Materials of Construction	
Body	Brass
Armature Tube	Brass
Fixed Core	Stainless Steel 400
Plunger	Stainless Steel 400
Spring	Stainless Steel 300
Shading Ring	Copper
Orifice	Brass
Sealing Material	FKM

Coil Specifications		
Coil	Inrush VA	Holding VA
8 W	25	14



To Order						
Model No.	Description	Pipe [†] Size	Orifice Dia.(mm)	KV(L/M)	Operating Pressure M.O.P.D.*	
					AC bar	DC bar
SVM3101	2-way normally closed valve	G 1/8	1.7	1.5	30	15
SVM3103	2-way normally closed valve	G 1/8	2.2	2.1	20	10
SVM3104	2-way normally closed valve	G 1/8	2.8	3.5	12	6
SVM3105	2-way normally closed valve	G 1/8	4	5	6	2
SVM3106	2-way normally closed valve	G 1/4	1.7	1.5	30	15
SVM3108	2-way normally closed valve	G 1/4	2.2	2.1	20	10
SVM3109	2-way normally closed valve	G 1/4	2.8	3.5	12	6
SVM3110	2-way normally closed valve	G 1/4	4	5	6	2

Order required coil and DIN connector from table below.

* Maximum operational pressure differential.

Accessories

Model No.	Description
Connectors	
SVM-SDC	Standard DIN Connector with screw terminals and PG9 cable gland
SVM-SDC-1M	Standard DIN Connector with 1 metre of 3-core cable
SVM-SDC-2M	Standard DIN Connector with 2 metre of 3-core cable
Coils	
SV8COIL-115AC	8 W coil for 110 to 120 Vac/50 to 60 Hz 155°C (Class F)
SV8COIL-12DC	8 W coil for 12 Vdc 155°C (Class F)
SV8COIL-24DC	8 W coil for 24 Vdc 155°C (Class F)
SV8COIL-24AC/60HZ	8 W coil for 24 Vac/50 to 60 Hz 180°C (Class F)
SV8COIL-220AC	8 W coil for 220 to 240 Vac/50 to 60 Hz 155°C (Class F)

Ordering Examples: SVM3101, N/C G 1/8 valve body + SV8COIL-24DC 8 Watt, 24Vdc coil + SVM-SDC, DIN Connector.