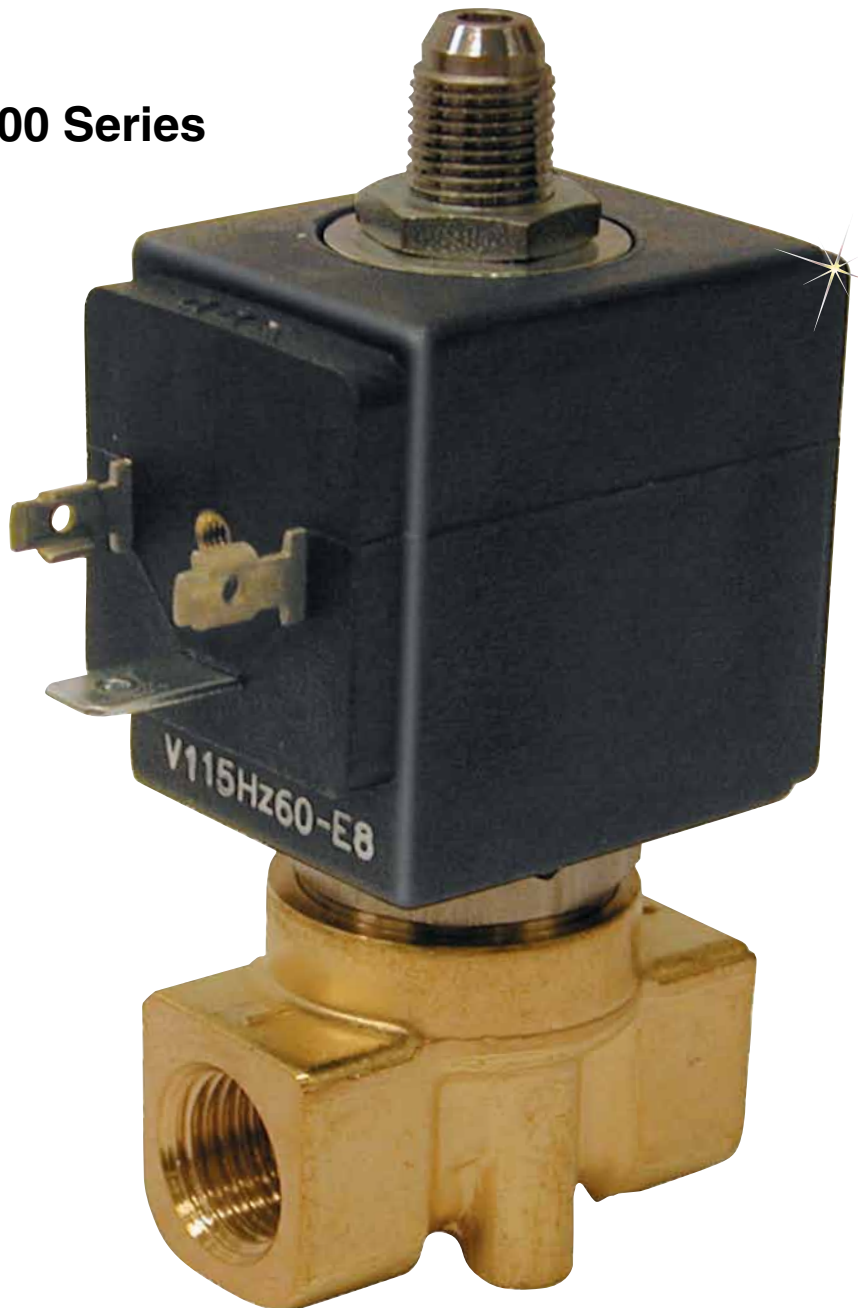


3-WAY DIRECT ACTING SOLENOID VALVES

SVM4100/SVM4300 Series



- ✓ Ideal for Compressed Air, Inert gas, Water and Synthetic Oils
- ✓ 8 W, DC Coils Available
- ✓ Normally Open or Normally Closed Models
- ✓ AC or DC Operated Coils Available



The SVM4100 and SVM4300 Series are direct acting solenoid valves. The valves have a brass body with brass and stainless steel wetted parts and a FKM seal material. A temperature range of -10 to 140°C makes this valve ideal for neutral media such as compressed air, inert gas, water and synthetic oils.

SPECIFICATIONS

Mounting Position: Any (preferably with the solenoid system upright)

Maximum Process Temperature: 140°C due to FKM O-ring

Maximum Ambient Temperature: Coil Dependent (See ratings on coils)

Voltage Tolerance: ±10%

Opening Time (msec): Approximately AC: 8 to 15

DC: 10 to 20

Closing Time (msec): Approximately

AC: 8 to 15

DC: 10 to 20

Cycling Rate: Approx. 1000 cpm

Duty Cycle: Continuous (100%)

SVM4101 with SV8COIL-115AC, shown larger than actual size.

Coil Molding Material

Black Polyester (Class F):

SV8COIL-115AC

SV8COIL-24AC/60HZ

SV8COIL-220AC

Black Polyamide (Class F):

SV8COIL-12DC

SV8COIL-24DC

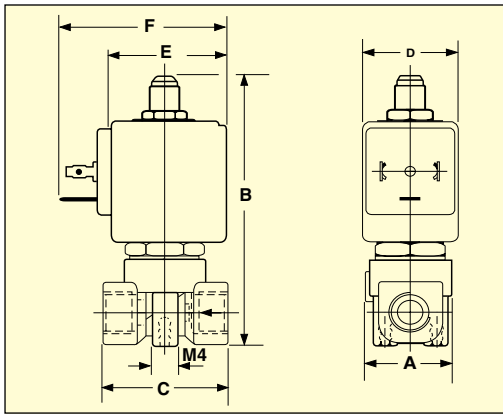
Black Polyphenylsulphide (Class H): SV8COIL-115/60HZ

Materials of Construction

Body	Brass
Armature Tube	Stainless Steel 300
Fixed Core	Stainless Steel 400
Plunger	Stainless Steel 400
Spring	Stainless Steel 300
Shading Ring	Copper
Orifice	Stainless Steel 300

Coil Specifications

Coil	Inrush VA	Holding VA
8 W	25	14.5



Valve Dimensions (mm)			
Pipe Size	A	B	C
G 1/8	27.5	86	40
G 1/4			

Coil Dimensions (mm)			
Coil	D	E	F
8 W	30	42	54

To Order

3 Way Universal Normally Opened Model No.	Pipe Size†	Orifice Dia (mm)	3rd Way Exhaust Orifice	KV(L/M)	Coil Power	Minimum bar	Operating Pressure	
							M.O.P.D.*	
							AC bar	DC bar
SVM4101	G 1/8	1	1	0.8	8 W	0	18	18
SVM4102	G 1/8	1.5	1.5	1.4	8 W	0	10	10
SVM4103	G 1/8	2.5	2.5	3.2	8 W	0	4	4
SVM4104	G 1/8	3	3	4	8 W	0	3.5	3.5
SVM4105	G 1/4	1	1	0.8	8 W	0	18	18
SVM4106	G 1/4	1.5	1.5	1.4	8 W	0	10	10
SVM4107	G 1/4	2.5	2.5	3.2	8 W	0	4	4
SVM4108	G 1/4	3	3	4	8 W	0	3.5	3.5
Normally Closed Model No.								
SVM4301	G 1/8	1	2.5	0.45	8 W	0	20	20
SVM4302	G 1/8	1.5	2.5	1.4	8 W	0	15	15
SVM4303	G 1/8	2	2.5	2	8 W	0	10	10
SVM4304	G 1/8	2.5	2.5	3.2	8 W	0	6	6
SVM4305	G 1/8	3	2.5	4	8 W	0	5	5
SVM4306	G 1/4	1	2.5	0.45	8 W	0	20	20
SVM4307	G 1/4	1.5	2.5	1.4	8 W	0	15	15
SVM4308	G 1/4	2	2.5	2	8 W	0	10	10
SVM4309	G 1/4	2.5	2.5	3.2	8 W	0	6	6
SVM4310	G 1/4	3	2.5	4	8 W	0	5	5

* Maximum Operating Pressure Differential.

Accessories

Model No.	Description
Connectors	
SVM-SDC	Standard DIN Connector with screw terminals and PG9 cable gland
SVM-SDC-1M	Standard DIN Connector with 1 metre of 3-core cable
SVM-SDC-2M	Standard DIN Connector with 2 metres of 3-core cable
Coils	
SV8COIL-115AC	8 W coil for 110 to 120 Vac/50 to 60 Hz 155°C (Class F)
SV8COIL-12DC	8 W coil for 12 Vdc 155°C (Class F)
SV8COIL-24DC	8 W coil for 24 Vdc 155°C (Class F)
SV8COIL-24AC/60HZ	8 W coil for 24 Vac/50 to 60 Hz 180°C (Class F)
SV8COIL-220AC	8 W coil for 220 to 240 Vac/50 to 60 Hz 155°C (Class F)

Ordering Examples: SVM4101, 3 way G 1/8 N/O valve + SV8COIL-24DC, 8 Watt 24Vdc coil + SVM-SDC standard DIN Connector.