

MEDIUM WEIGHT OIL IMMERSION HEATER

With Integral Thermostat—2½ NPT Steel Fitting

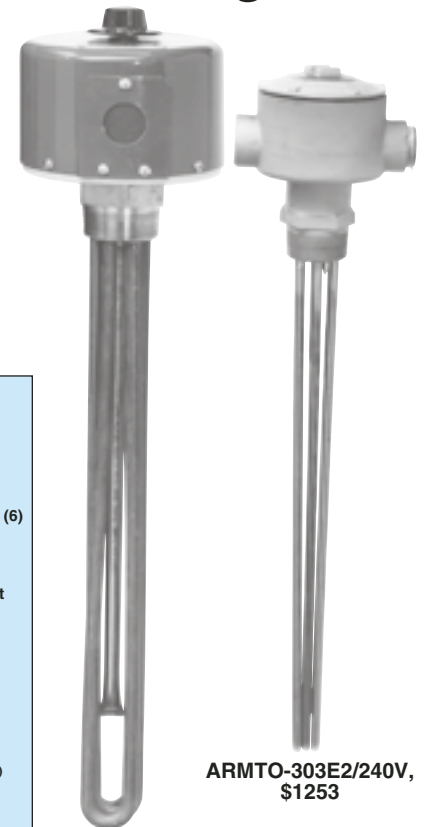
- ✓ 3 to 9kW
- ✓ Rugged 3 Element Steel Construction
- ✓ Low Watt Density, 15 W/in²
- ✓ Built-in Thermostat, Three Temperature Ranges Available
- ✓ 240 and 480V, 3 Phase

ARMTO-3 Series
Starts at

\$1018



Note: The integral thermostat functions as a temperature control only. This is not a fail safe device. An approved pressure and/or temperature control should be used with these heaters to assure safe operation. See the Temperature Section for our selection of control devices.



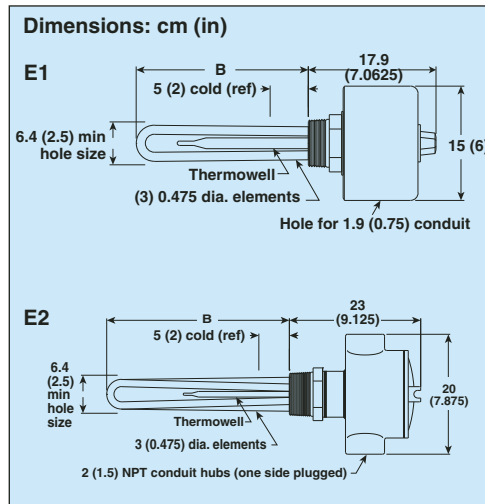
ARMTO-303/240, \$1018
ARMTO-303E2/240V, \$1253
Both models shown smaller than actual size.

SPECIFICATIONS

Wattage: 3 to 9 kW
Power: 240, and 480V, 3 phase
Watt Density: 15 W/in²
Sheath: 0.475" diameter steel
Screw Plug: 2½ NPT Steel
Thermostat: Bulb and capillary type, three temperature ranges available (see To Order table below)
Enclosure: E1 General Purpose, NEMA-1 rated, or E2 moisture resistant/explosion resistant enclosure²

CAUTION AND WARNING!

Fire and electrical shock may result if products are used improperly or installed or used by non-qualified personnel. See inside back cover for additional warning.



MOST POPULAR MODELS HIGHLIGHTED!

To Order (Specify Model Number)

kW	W/in ²	No Htg Elem.	Dim. B cm (in)	T3 Temp. Range (200 to 550°F)		T2 Temp. Range (60 to 250°F)		T1 Temp. Range (0 to 100°F)		Wt. kg (lb)
				Model No.	Price	Model No.	Price	Model No.	Price	
ARMTO-3 with E1 General Purpose Enclosure¹										
3	15	3	62 (24½)	ARMTO-303/*	\$1018	ARMTO-303T2/*	\$1018	ARMTO-303T1/*	\$1018	5 (11)
4	15	3	82 (32¾)	ARMTO-304/*	1100	ARMTO-304T2/*	1100	ARMTO-304T1/*	1100	5 (12)
5	15	3	101 (39¾)	ARMTO-305/240	1182	ARMTO-305T2/240	1182	ARMTO-305T1/240	1182	6 (13)
6	15	3	121 (47¾)	ARMTO-306/*	1263	ARMTO-306T2/*	1263	ARMTO-306T1/*	1263	6 (14)
7.5	15	3	145 (57)	ARMTO-307/240	1386	ARMTO-307T2/240	1386	ARMTO-307T1/240	1386	6 (15)
9	15	3	171 (67¾)	ARMTO-309/240	1590	ARMTO-309T2/240	1590	ARMTO-309T1/240	1590	7 (16)
ARMTO-3 Series with Moisture Resistant/Explosion Resistant Enclosure^{2†}										
3	15	3	62 (24½)	ARMTO-303E2/*	\$1253	ARMTO-303E2T2/*	\$1253	ARMTO-303E2T1/*	\$1253	7 (16)
4	15	3	82 (32¾)	ARMTO-304E2/*	1334	ARMTO-304E2T2/*	1334	ARMTO-304E2T1/*	1334	8 (17)
5	15	3	101 (39¾)	ARMTO-305E2/240	1498	ARMTO-305E2T2/240	1498	ARMTO-305E2T1/240	1498	8 (18)
6	15	3	121 (47¾)	ARMTO-306E2/*	1498	ARMTO-306E2T2/*	1498	ARMTO-306E2T1/*	1498	9 (19)
7.5	15	3	145 (57)	ARMTO-307E2/240	1621	ARMTO-307E2T2/240	1621	ARMTO-307E2T1/240	1621	9 (20)
9	15	3	171 (67¾)	ARMTO-309E2/240	1743	ARMTO-309E2T2/240	1743	ARMTO-309E2T1/240	1743	10 (21)

* Insert "208" for 208 Vac, "240" for 240 Vac, or "480" for 480 Vac. Model numbers containing 240 V are only available in that voltage.

¹ Heaters with General Purpose Enclosures are UL Listed with T1 or T2 Temps and CSA Certified with T1, T2 or T3 Temps.

² Heaters with Moisture Resistant/Explosion Resistant Enclosures are CSA NRTL/C Certified with T1, T2 or T3 Temps.

† **Caution:** Explosion resistant type E2 construction refers to heater design features which provide explosion resisting containment of electrical wiring according to National Electric Code. Abnormal application or use of heaters which in excessive temperatures can create hazardous conditions which can lead to fire Consult Section Z for data on allowable watt densities for more viscous materials.

Ordering Examples: ARMTO-303/240, 3 kW heater with a thermostat range of 200 to 550°F powered by 240 Vac, \$1018. ARMTO-309T2/240, 9 kW thermostat range, 60 to 250°F powered by 240 Vac, \$1590.

omega.co.uk[®]

Your One-Stop Source for Process Measurement and Control!

Freephone 0800 488 488 | International +44(0) 161 777 6622 | Fax +44(0) 161 777 6622 | Sales@omega.co.uk

www.omega.co.uk



UNITED STATES

www.omega.com

1-800-TC-OMEGA
Stamford, CT.

UNITED KINGDOM

www.omega.co.uk

Manchester, England
0800-488-488
+44-(0)161-777-6611

CANADA

www.omega.ca

Laval(Quebec)
1-800-TC-OMEGA

FRANCE

www.omega.fr

0800-466-342

GERMANY

www.omega.de

Deckenfronn, Germany
0800-8266342

BENELUX

www.omega.nl

0800-099-33-44



More than 100,000 Products Available!

• Temperature

Calibrators, Connectors, General Test and Measurement Instruments, Handheld Instruments for Temperature Measurement, Ice Point References, Indicating Labels, Crayons, Cements and Lacquers, Infrared Temperature Measurement Instruments, Recorders, Relative Humidity Measurement Instruments, PT100 Probes, PT100 Elements, Temperature & Process Meters, Timers and Counters, Temperature and Process Controllers and Power Switching Devices, Thermistor Elements, Probes and Assemblies, Thermocouples, Thermowells and Head and Well Assemblies, Transmitters, Thermocouple Wire, RTD Probes

• Flow and Level

Air Velocity Indicators, Doppler Flowmeters, Level Measurement, Magnetic Flowmeters, Mass Flowmeters, Pitot Tubes, Pumps, Rotameters, Turbine and Paddle Wheel Flowmeters, Ultrasonic Flowmeters, Valves, Variable Area Flowmeters, Vortex Shedding Flowmeters

• pH and Conductivity

Conductivity Instrumentation, Dissolved Oxygen Instrumentation, Environmental Instrumentation, pH Electrodes and Instruments, Water and Soil Analysis Instrumentation

• Data Acquisition

Communication Products and Converters, Data Acquisition and Analysis Software, Data Loggers Plug-in Cards, Signal Conditioners, USB, RS232, RS485, Ethernet and Parallel Port Data Acquisition Systems, Wireless Transmitters and Receivers

• Pressure, Strain and Force

Displacement Transducers, Dynamic Measurement Force Sensors, Instrumentation for Pressure and Strain Measurements, Load Cells, Pressure Gauges, Pressure Reference Section, Pressure Switches, Pressure Transducers, Proximity Transducers, Regulators, Pressure Transmitters, Strain Gauges, Torque Transducers, Valves

• Heaters

Band Heaters, Cartridge Heaters, Circulation Heaters, Comfort Heaters, Controllers, Meters and Switching Devices, Flexible Heaters, General Test and Measurement Instruments, Heater Hook-up Wire, Heating Cable Systems, Immersion Heaters, Process Air and Duct, Heaters, Radiant Heaters, Strip Heaters, Tubular Heaters